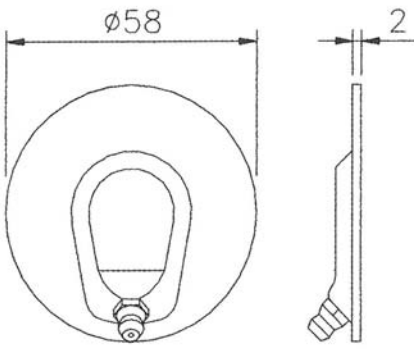


|                         |  |                         |
|-------------------------|--|-------------------------|
| <p><b>RC Roller</b></p> | <p>Grease Cap</p>  <p>The technical drawing consists of two views of a grease cap. The top view shows an oval-shaped cap with a central opening and a mounting base. A dimension line above it indicates a diameter of <math>\varnothing 58</math>. The side view shows the cap's profile, which is a thin, slightly curved plate with a mounting base at the bottom. A dimension line indicates a thickness of 2.</p> | <p><b>F03000396</b></p> |
|-------------------------|--|-------------------------|