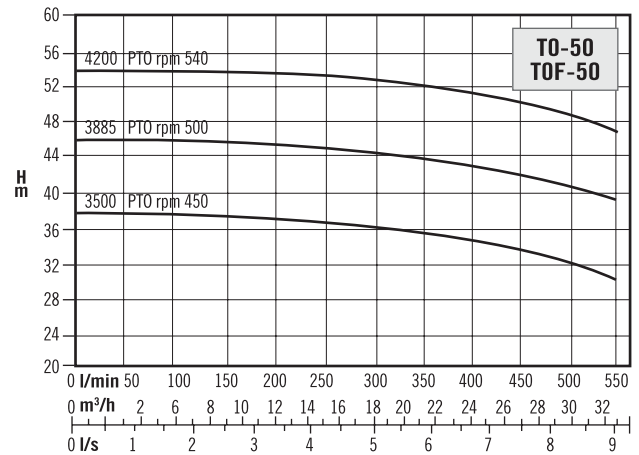
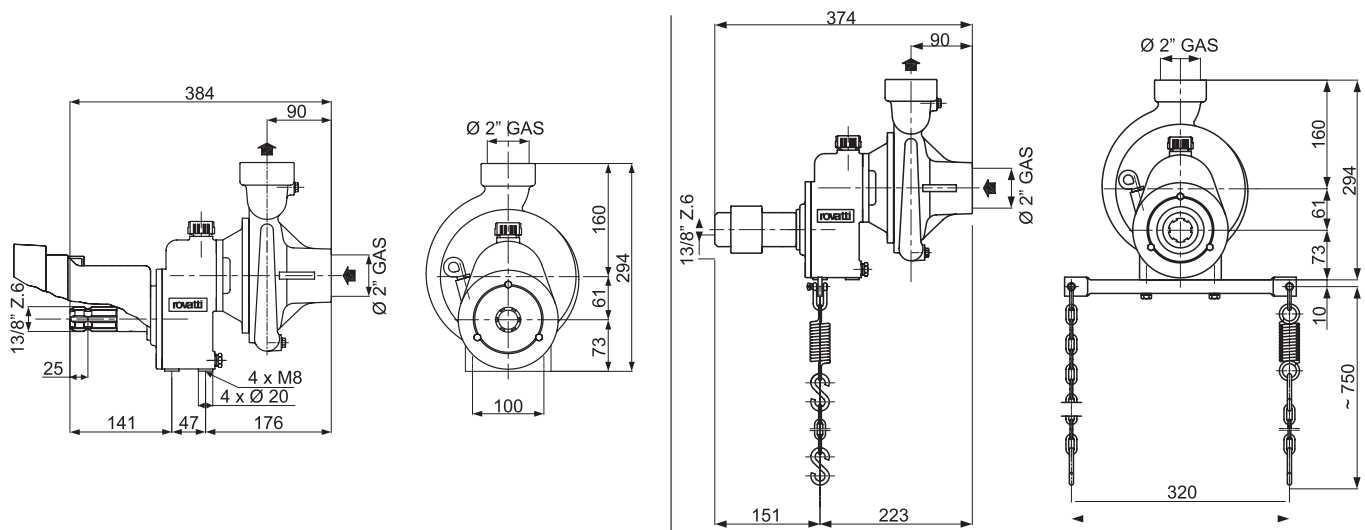


PTO Centrifugal Pumps



POMPA PUMP	MIN. POTENZA TRATTORE [HP] TRACTOR POWER MIN. [HP]	ASP. X MAND. INLET X OUTLET	RAPPORTO GEAR RATIO	min ⁻¹ P.d.f. PTO min ⁻¹	PORTATA - CAPACITY									
					l/min	100	200	300	350	400	450	500	550	
					l/s	1,6	3,3	5	5,8	6,6	7,5	8,3	9,1	
Centrifuga Centrifugal	TO-50	15	2" X 2"	1 : 7,77	540	H(m)	53,5	53,2	52,5	52	51,2	50,5	48,7	47
						HP*	4,6	5,7	6,7	7,2	7,8	8,3	8,7	9,2
						H(m)	46	45,5	44,5	44	43	42	41	39,8
	TOF-50	10	500	540	500	HP*	3,7	4,7	5,6	6	6,4	6,8	7,1	7,4
						H(m)	37,2	36,7	36	35,2	34,4	33,5	32,3	30,6
						HP*	2,8	3,6	4,3	4,6	4,9	5,2	5,5	5,8

TO-50	Dimensioni in mm - Dimensions in mm Peso pompa - Pump weight: 20 kg	TOF-50	Dimensioni in mm - Dimensions in mm Peso pompa - Pump weight: 20 kg
-------	--	--------	--



Rovatti single-stage mini centrifugal or self-priming high pressure pumps

Over gear driven by cardan shaft of PTO (TOF-50) or direct connection (TO-50). Axial inlet and scroll outlet.

Rovatti T0-50 series compact and portable user friendly tractor driven centrifugal pumps have been designed by ROVATTI to satisfy a wide range of applications, including water transfer, irrigation, wash-down and bowser/tank filling, etc. The selection of plastic suction and delivery fittings reduces the overall weight to allow for a rapid transfer between tractors for emergency pumping duties. Constructed from high specification cast-iron, each pump incorporates robustly engineered helical gears, oil bath lubrication of bearings and a quality mechanical seal to guarantee high efficiencies and a reliable and long maintenance free operational life. These pumps are fitted with the most modern devices and ensure an easy and reliable coupling to any type of tractor. Available both in centrifugal and self-priming centrifugal version. Each model is available both in cardan shaft driven version and with direct coupling to tractor PTO.



TOF-50
Direct tractor connection



T0-50
Tractor connection
with cardan shaft

Rovatti T0-50 mini compact and portable user friendly tractor driven pump with cardan shaft driven.

Rovatti TOF-50 mini compact and portable user friendly tractor driven pump with direct coupling to tractor PTO.

Features

- Light and compact pump
- Easy installation
- Application flexibility
- Available in self-priming execution